

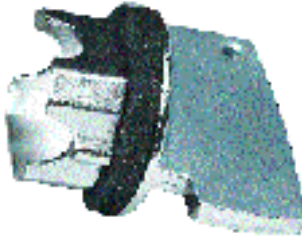


Data Sheet 8.0

Keys



FKW3



FKW6



QS

GENERAL DESCRIPTION

A selection of keys are available to suit a range of applications, from the basic nickel plated FK4 to the stainless steel FKW6 sealing key. The 'FK' range of keys fit the figure style lock portion whilst the 'QS' fits the 'Q' style lock.

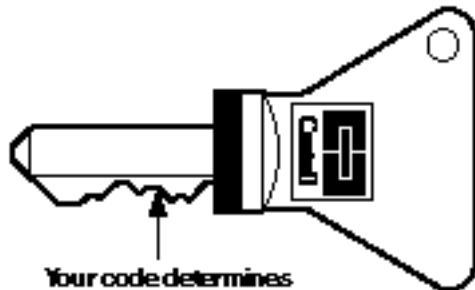


Your code
engraved here.

FK RANGE

A maximum of three (3) characters are permissible, letters or numbers or a combination of both.

The figures are in predetermined positions within the key.



Your code determines
key profile.

Q RANGE

A maximum of six (6) characters are permissible, letters or numbers or a combination of both.

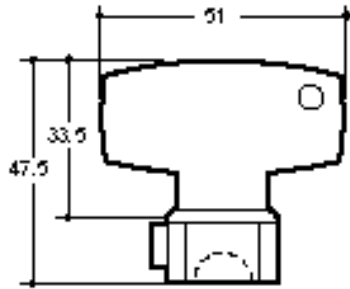
This is a non-masterable lock that Castell holds a record of all key codes issued.

For more information visit our website: <http://www.castell.com>

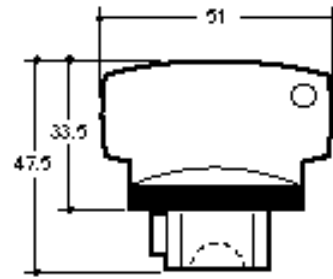


Data Sheet 8.0

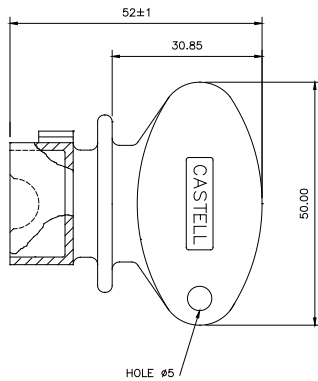
Keys



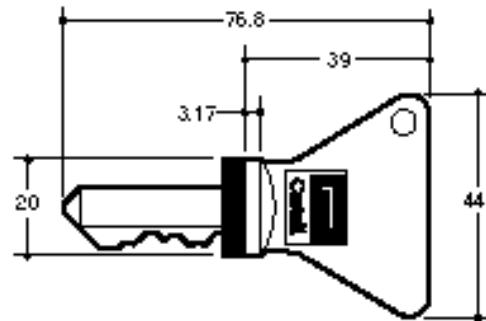
FK 4
The basic figure lock brass key supplied in nickel plated finish. Suitable for internal applications in a dry environment.



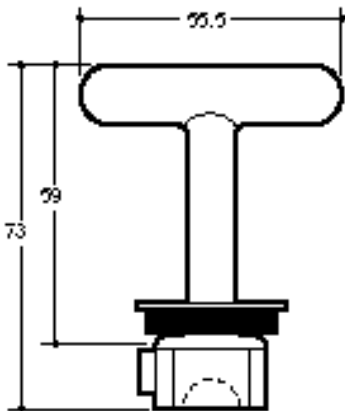
FK W6-NI
Supplied with a neoprene seal and flange to prevent ingress into the lock portion. Supplied in nickel plate or nylon coated finish (red, blue or green). Suitable for external application. A stainless steel version is available if required.



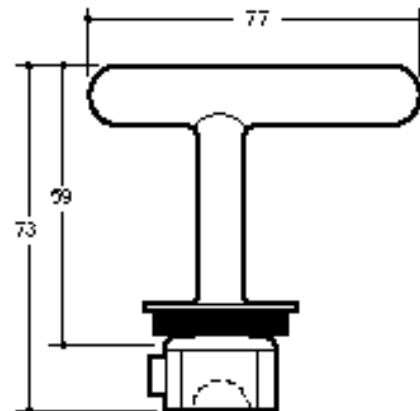
FK W6-S
Stainless steel version. Supplied with a neoprene seal and flange to prevent ingress into the lock portion. Suitable for external application.



QS
Q lock portion brass key with a neoprene seal. Supplied in standard brass or nickel plate finish. Suitable for internal applications.



FK W3
T-handle key with a neoprene seal and flange. Supplied in nickel plate or nylon coated finish (red, blue or green). Suitable for external applications where either gloved operation or high torque is required.



KSD
Extended T-handle key with a neoprene seal and flange. Supplied in nylon coated finish. Suitable for the KSD range of electrical switches.



CASTELL SAFETY INTERNATIONAL LIMITED

Kingsbury Road London NW9 8UR • Tel: 020 8200 1200 Fax: 020 8205 0055 <http://www.castell.com> E-mail: sales@castell.co.uk

Whilst every effort has been made to ensure the accuracy of the information provided, no liability can be undertaken for any errors or omission. Castell Safety International Limited reserves the right to alter specifications and introduce improvements without prior notice.